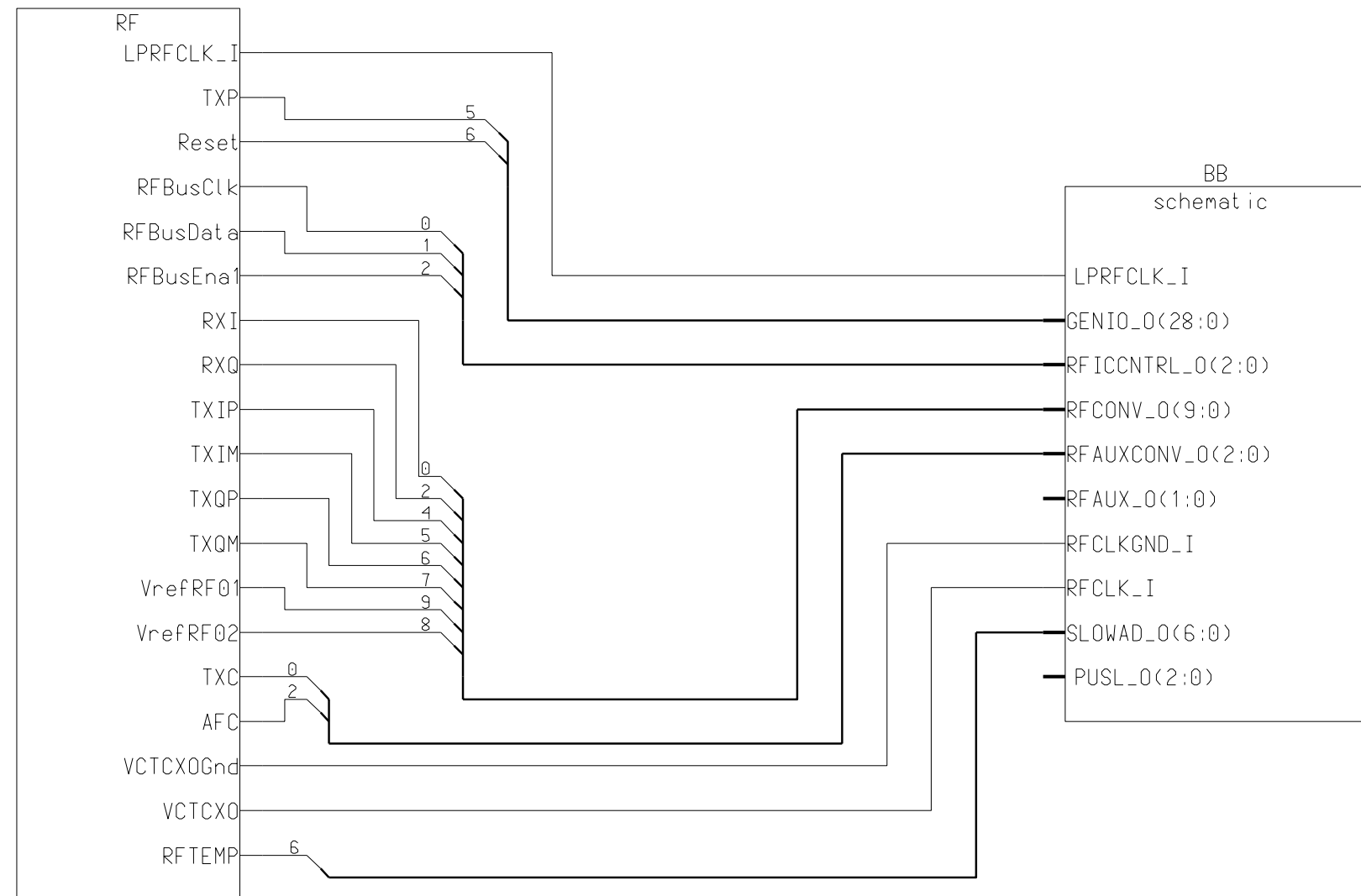
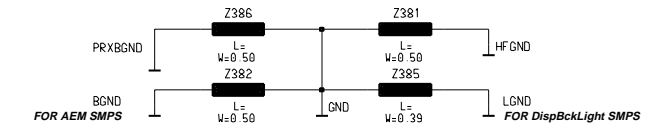


RF-BB connection diagram

GLOBAL SYMBOLS	
VR1A	
VR2	
VR3	
VR4	
VR5	
VR6	
VR7	
VBAT	
IPA1	Not used
IPA2	Not used

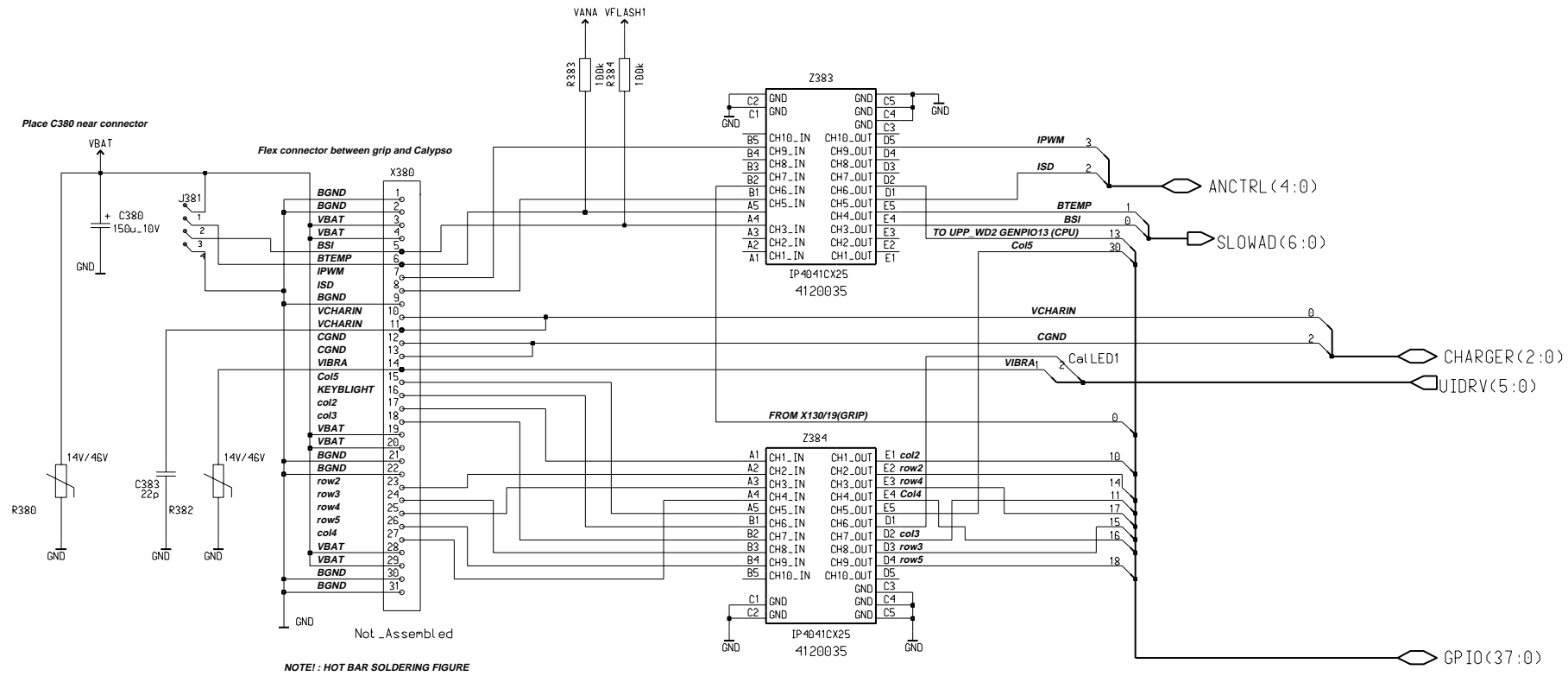


System Connector Diagram

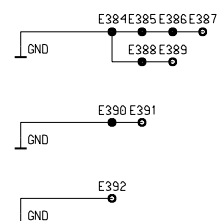
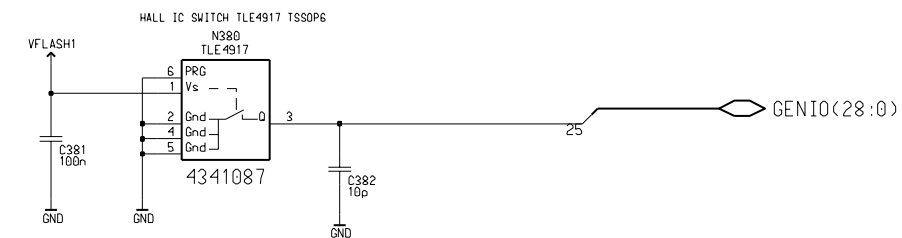


- ◇ DSP\_MCU TEST(2:0)
- ◇ MBUS
- ◇ FBUS(1:0)
- ◇ RFAUX(1:0)

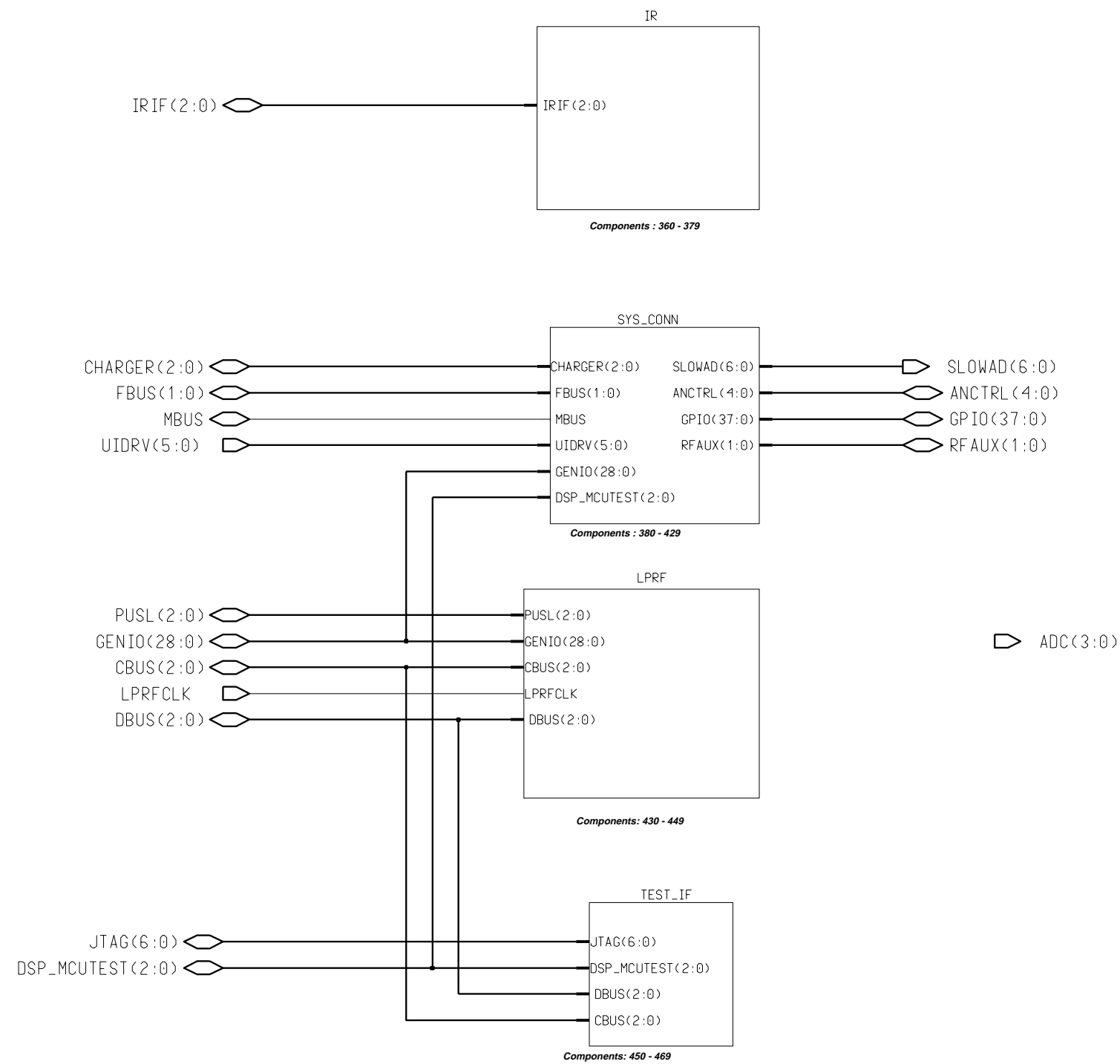
Grounds are connected together near grip connector








Note 1: These Are ScrewHoles

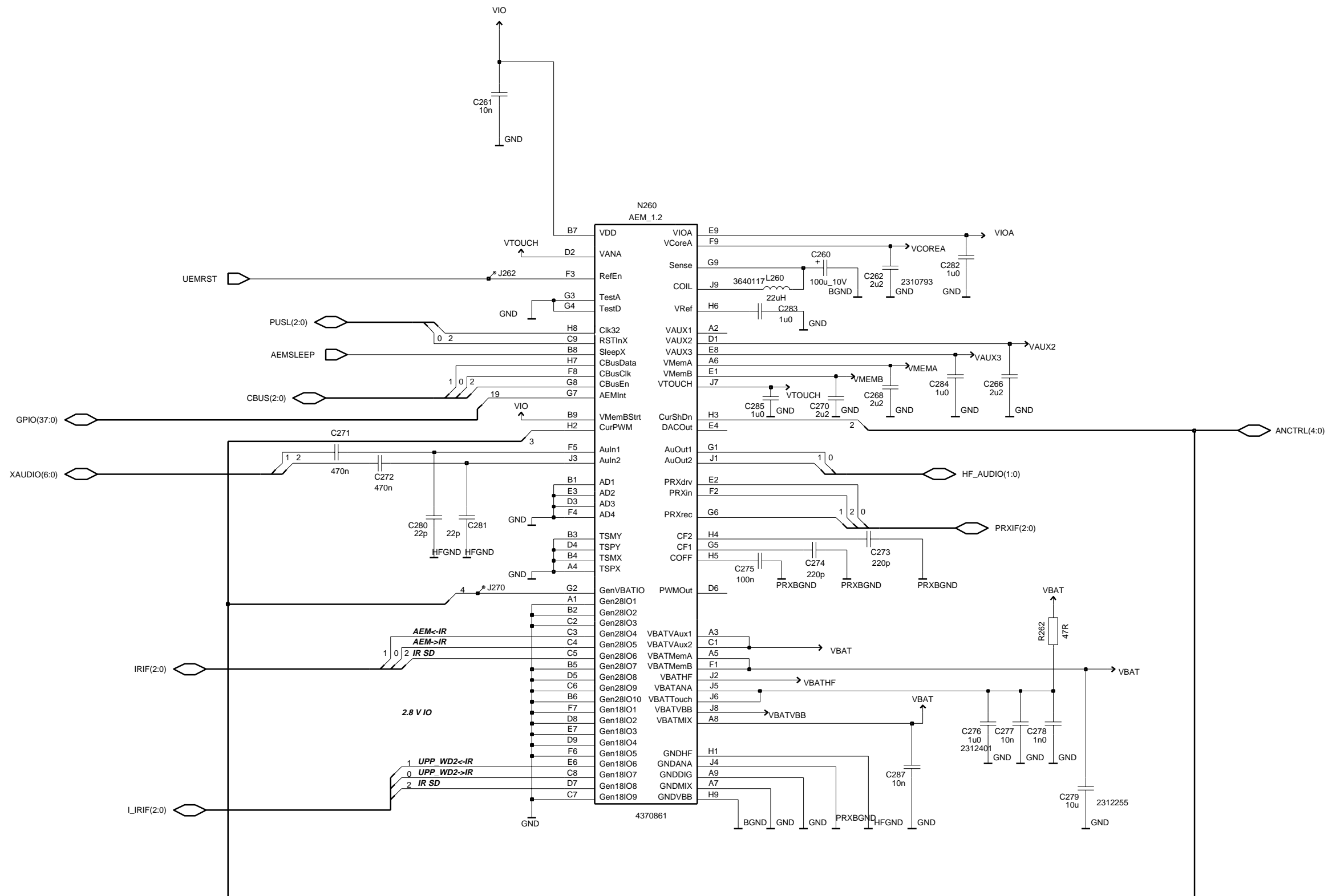


Accessories interface diagram

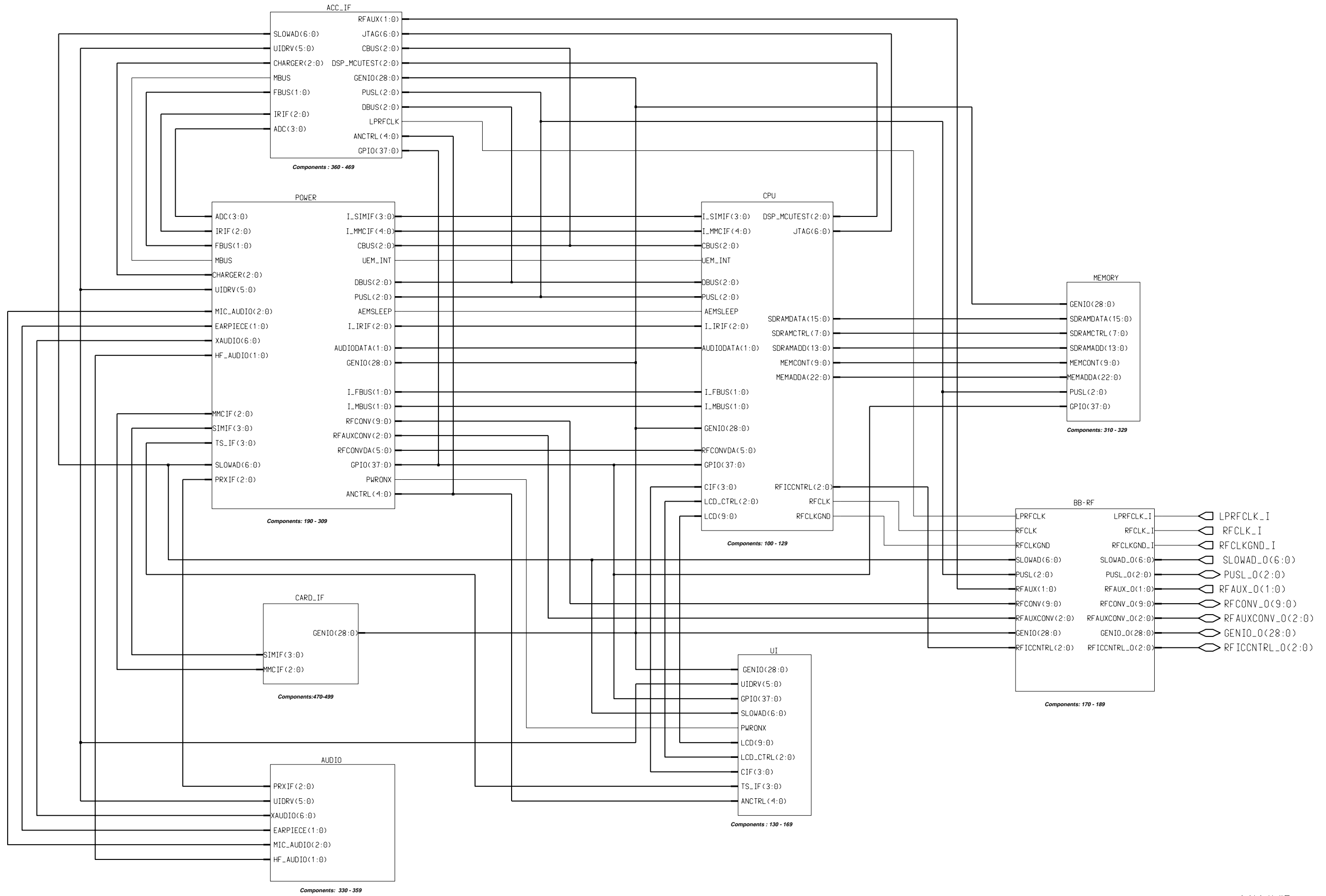


AEM diagram

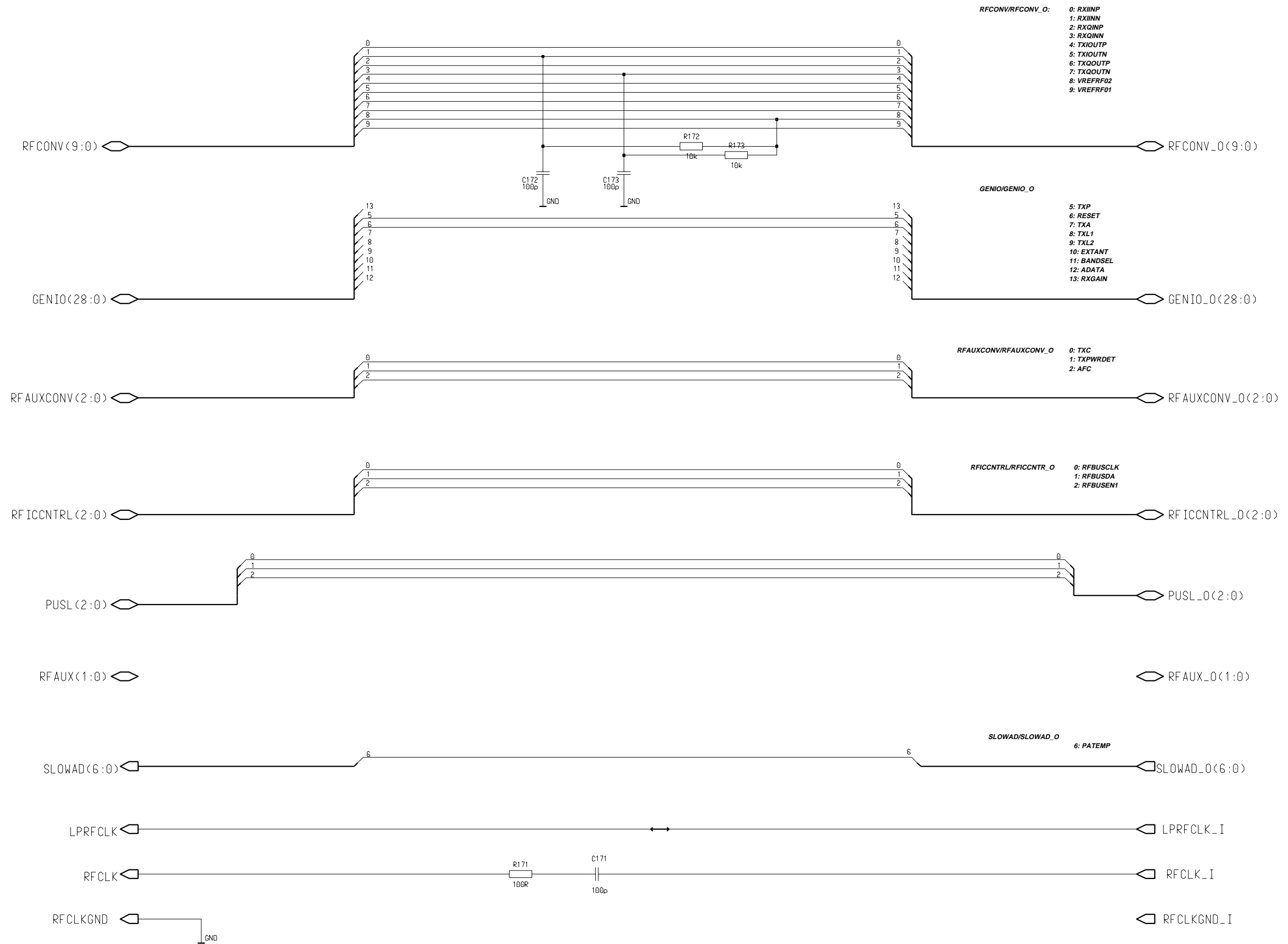
-  TS\_IF(3:0)
-  MMCIF(2:0)
-  L\_MMCIF(4:0)
-  ADC(3:0)
-  GENIO(28:0)



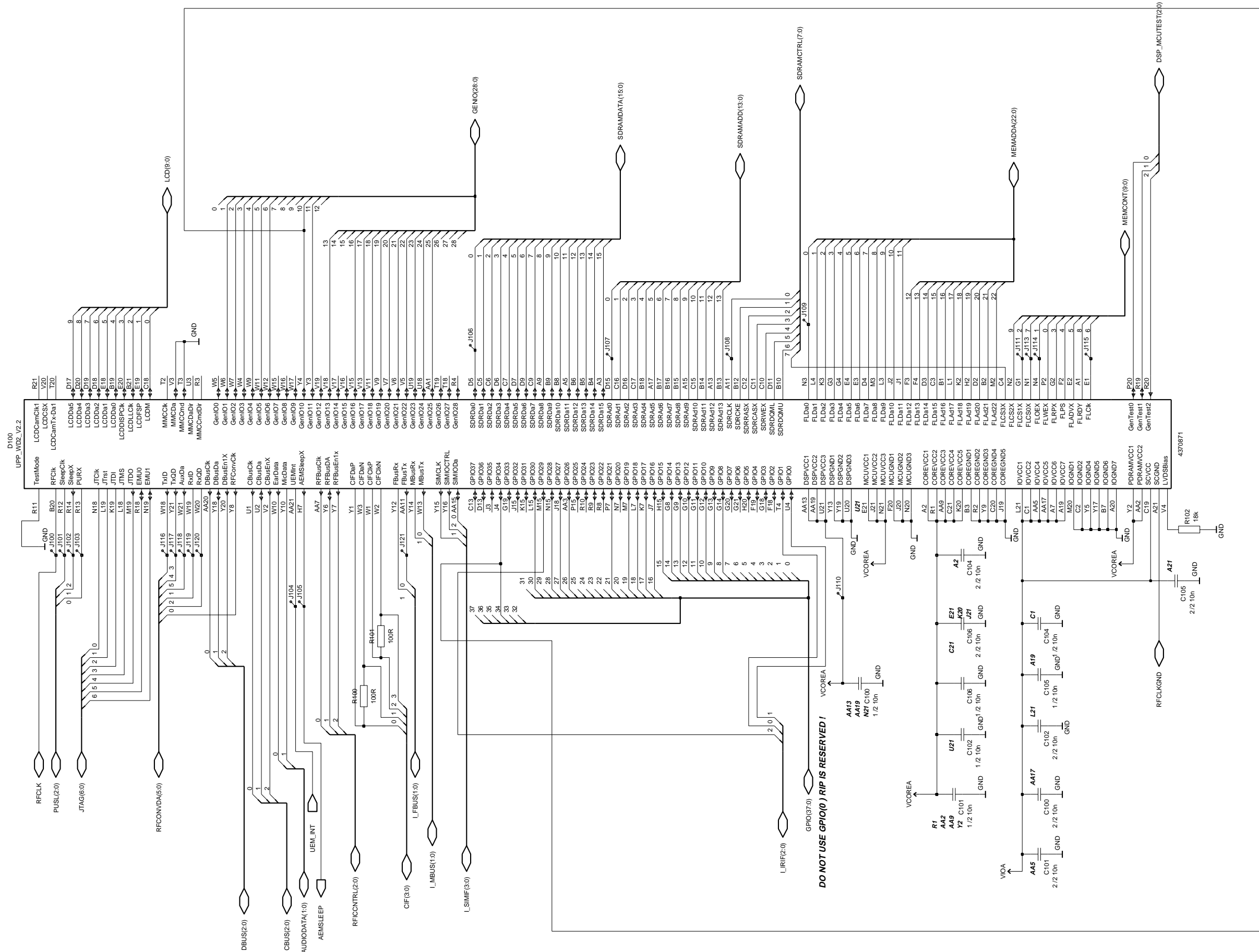
Baseband Diagram



BB-RF Interface diagram

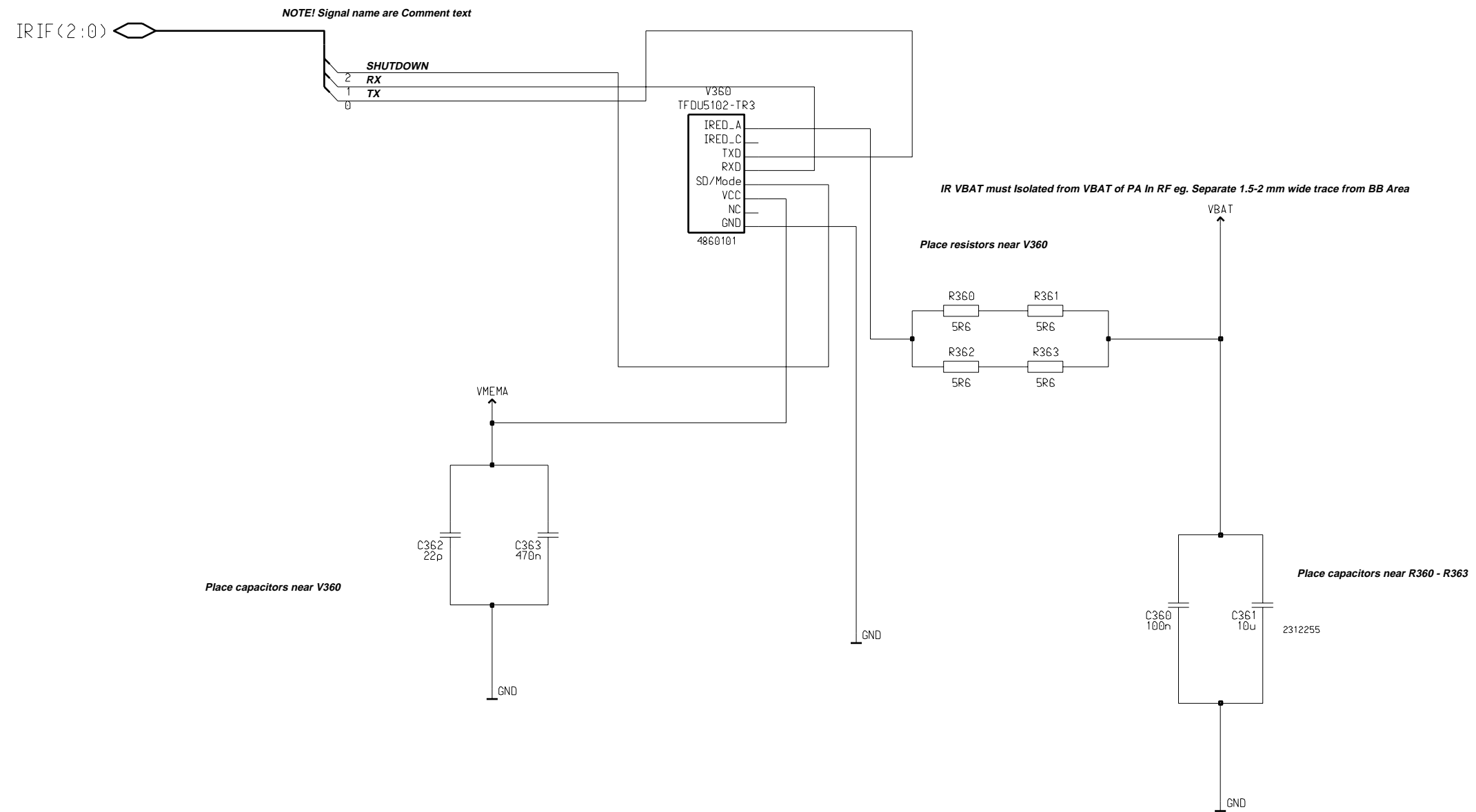


CPU Diagram



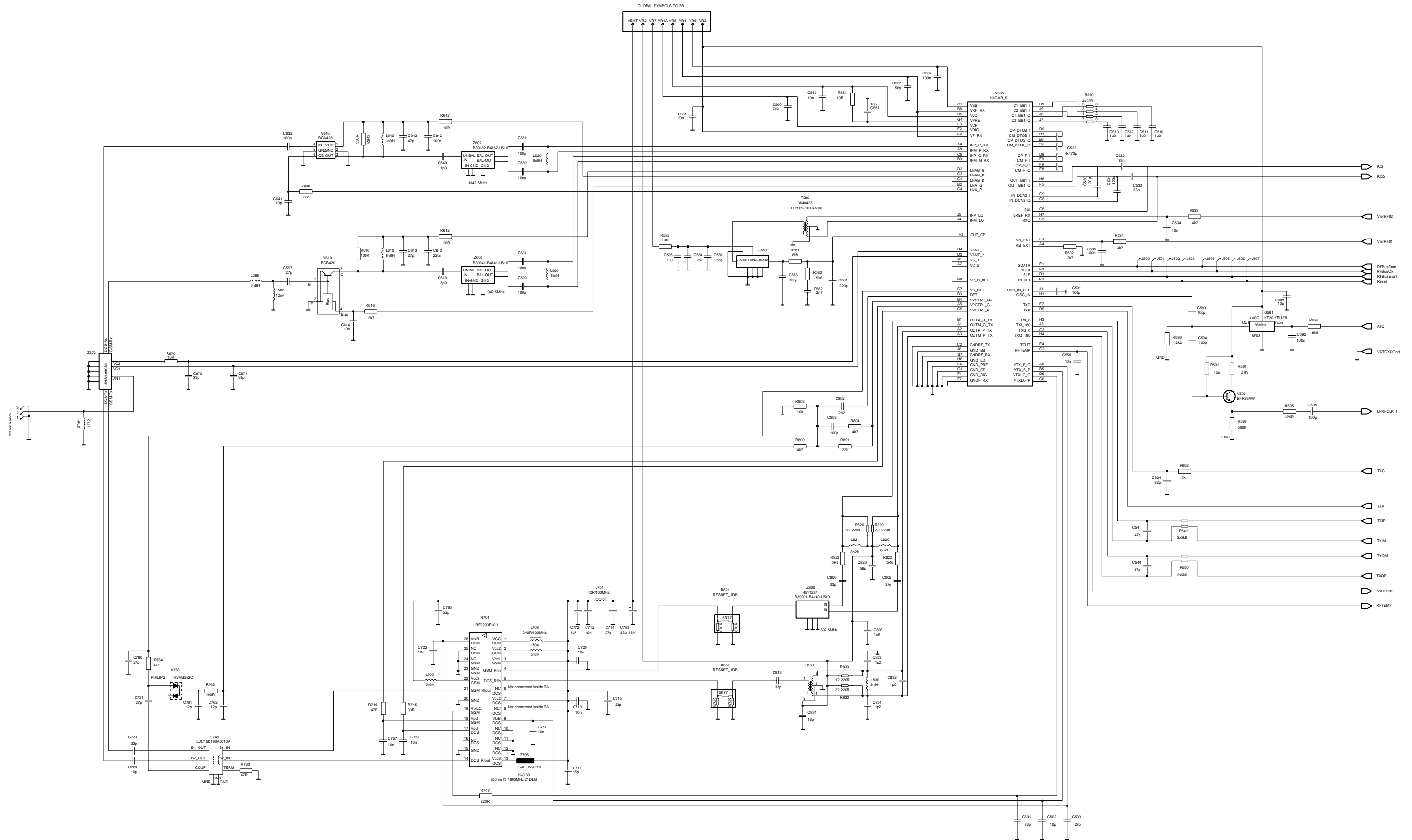
DO NOT USE GPIO( ) RIP IS RESERVED!

IR module diagram

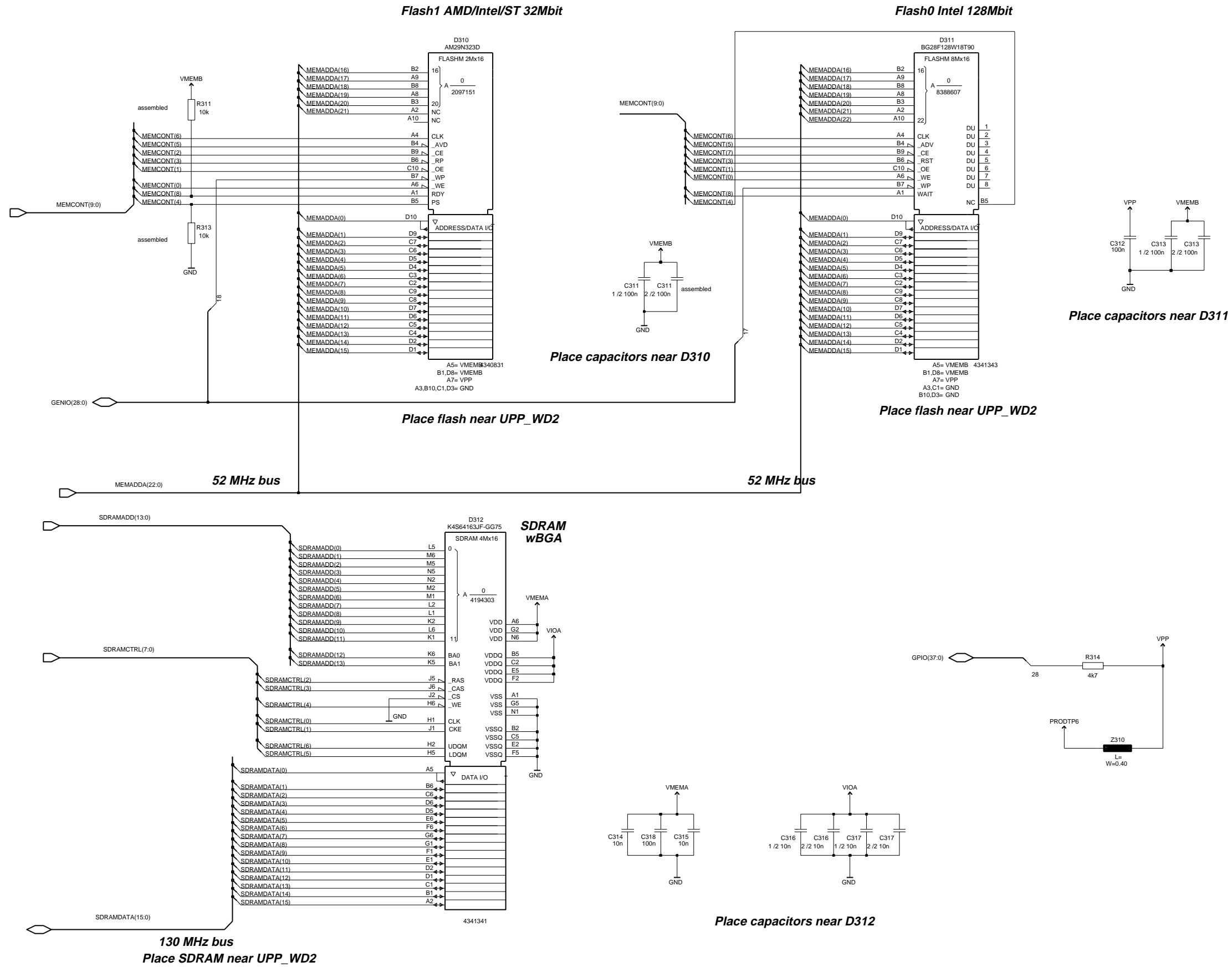




RF diagram

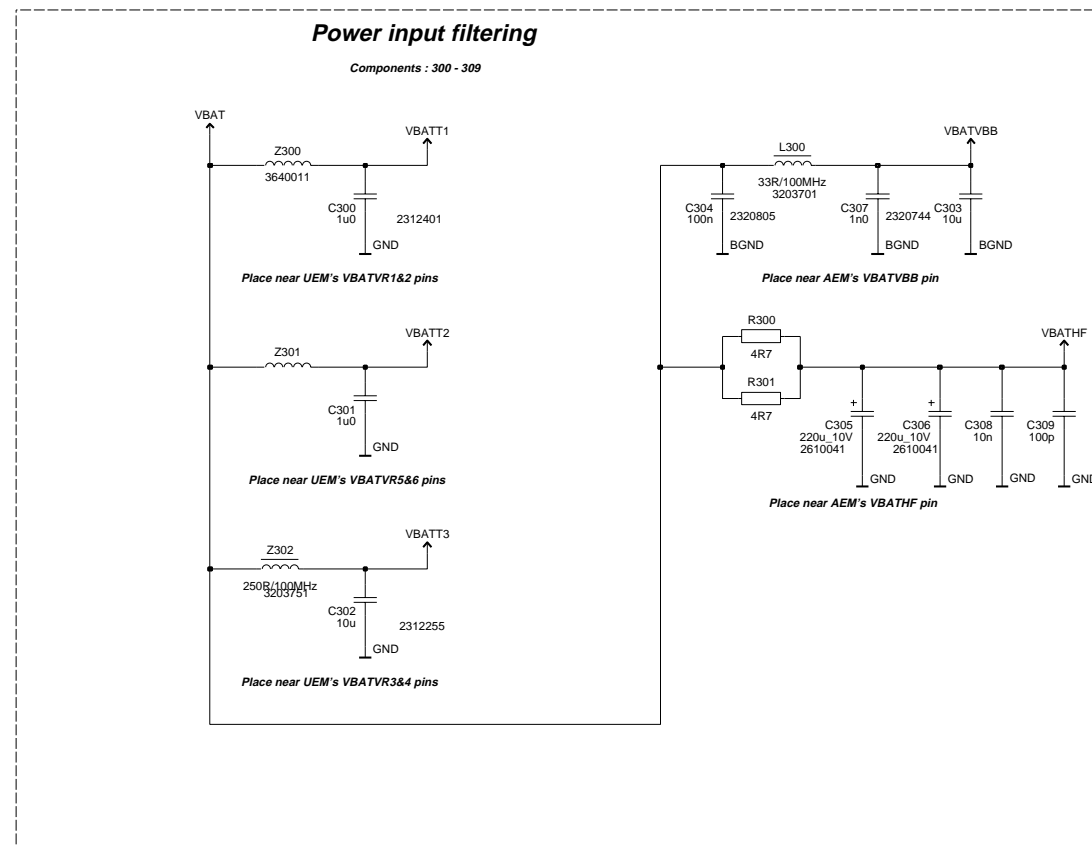
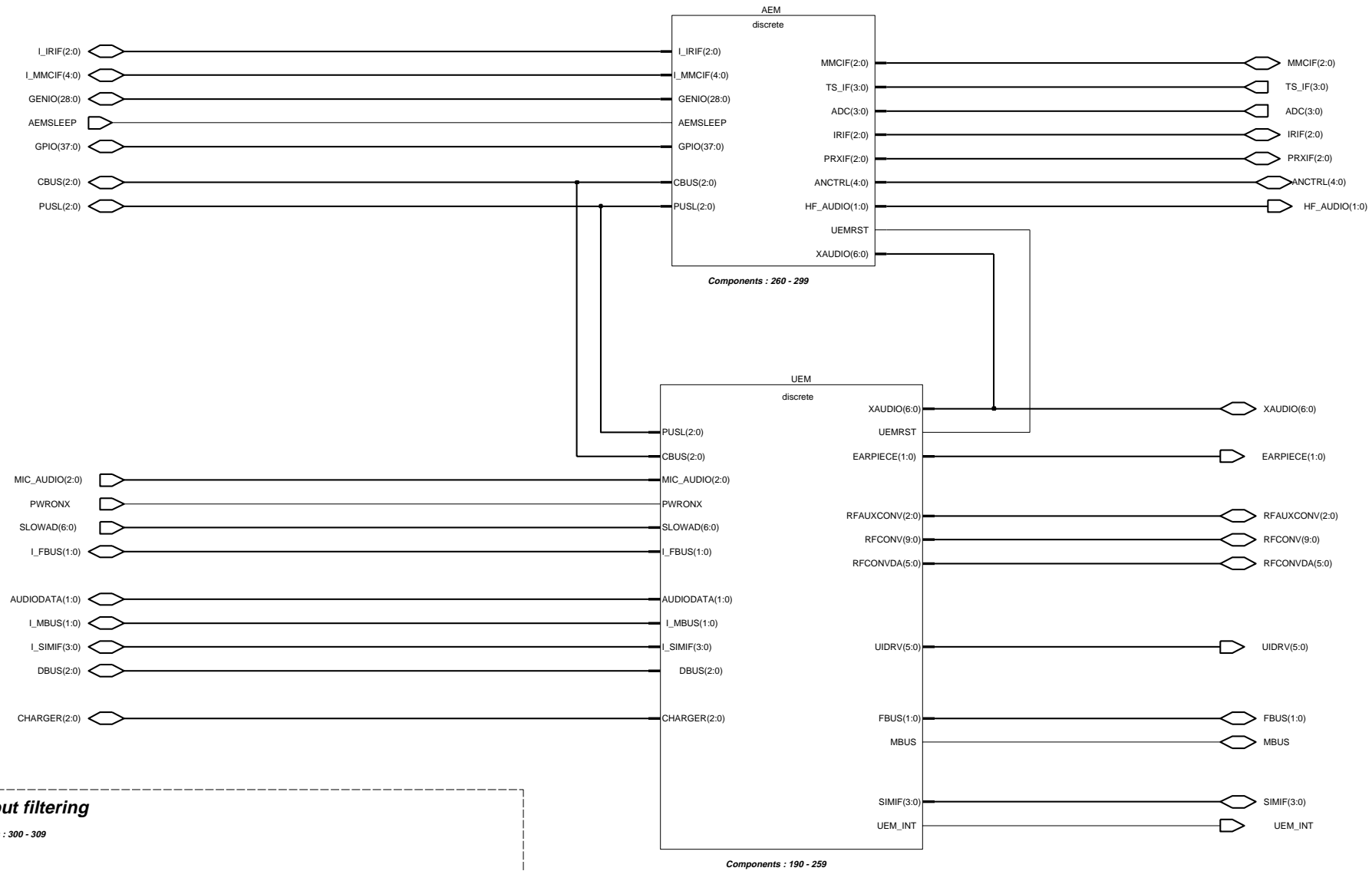


Memories diagram



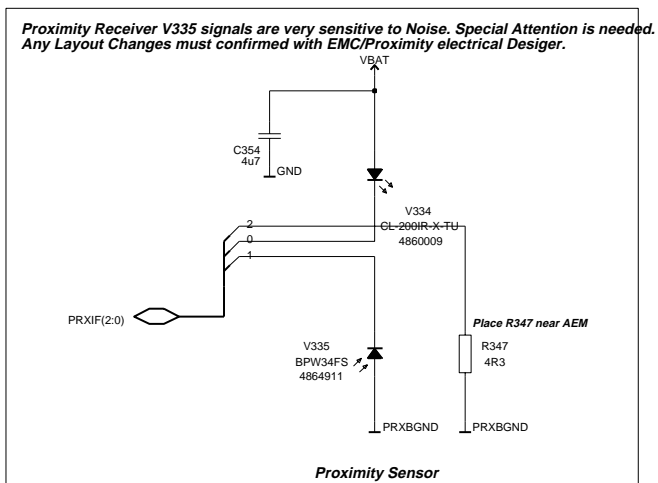
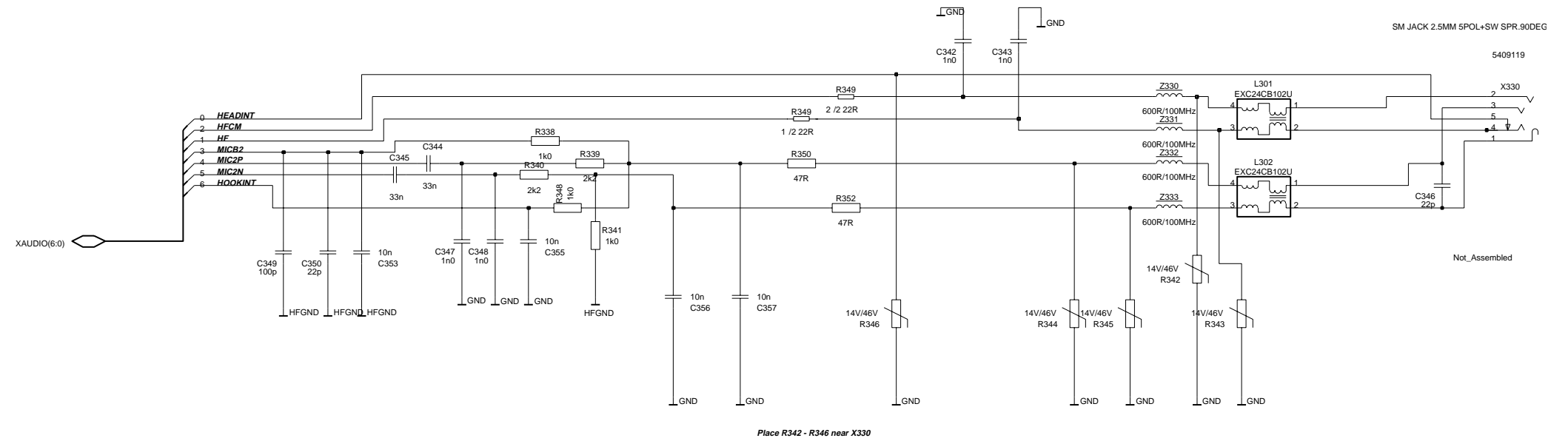
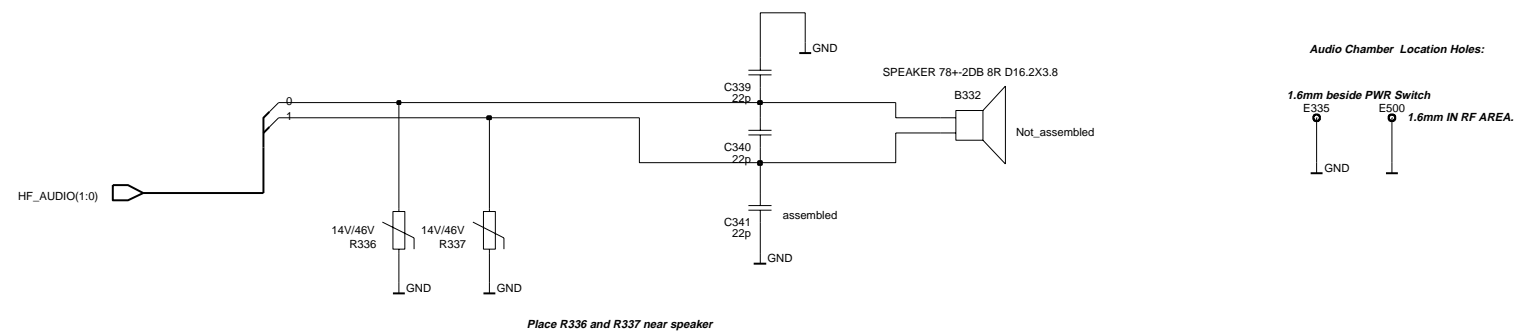
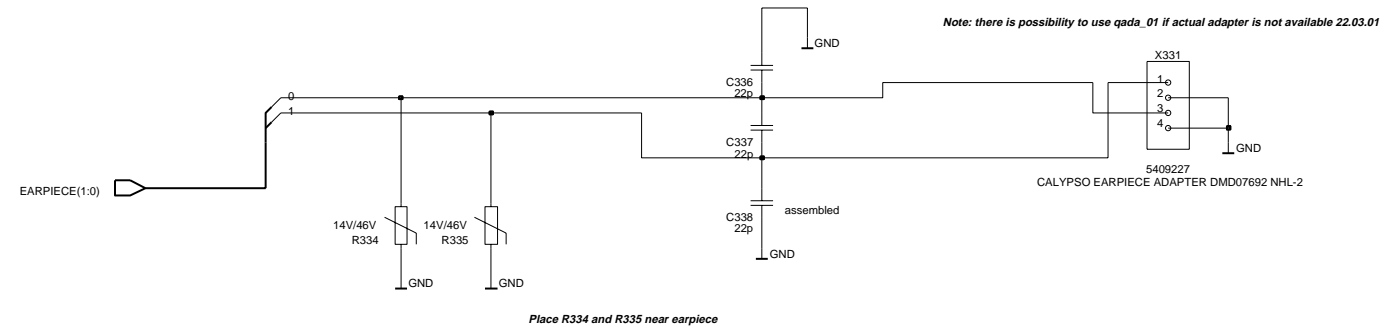
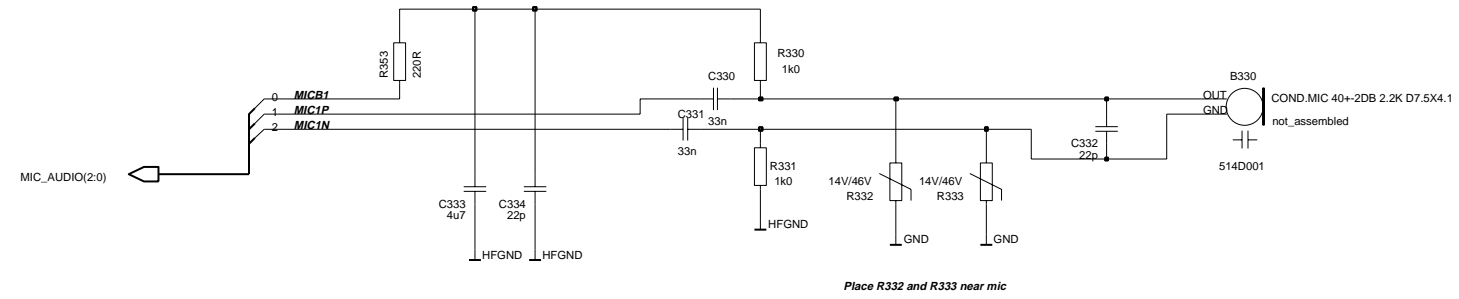
PUSL(2:0)

Power Diagram



Audio

UIDRV(5:0)

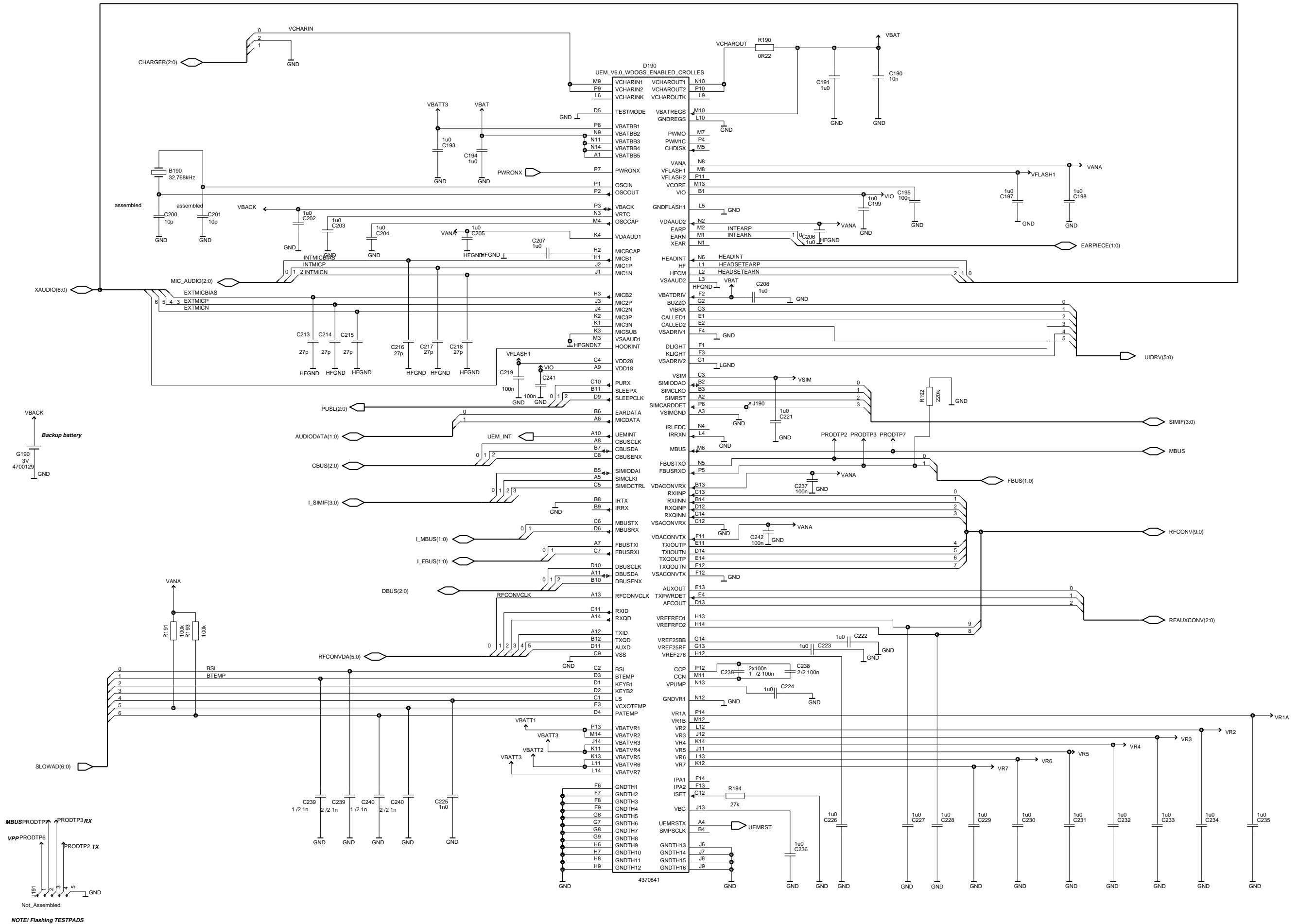


COPYRIGHT(C) NOKIA MOBILE PHONES. ALL RIGHTS RESERVED  
THIS DRAWING IS PROTECTED BY COPYRIGHT AS AN UNPUBLISHED WORK

Name Calypso audio  
Assoc

Appr dd-mmm-yy  
Des. Jarvinen 06-Oct-2000  
r

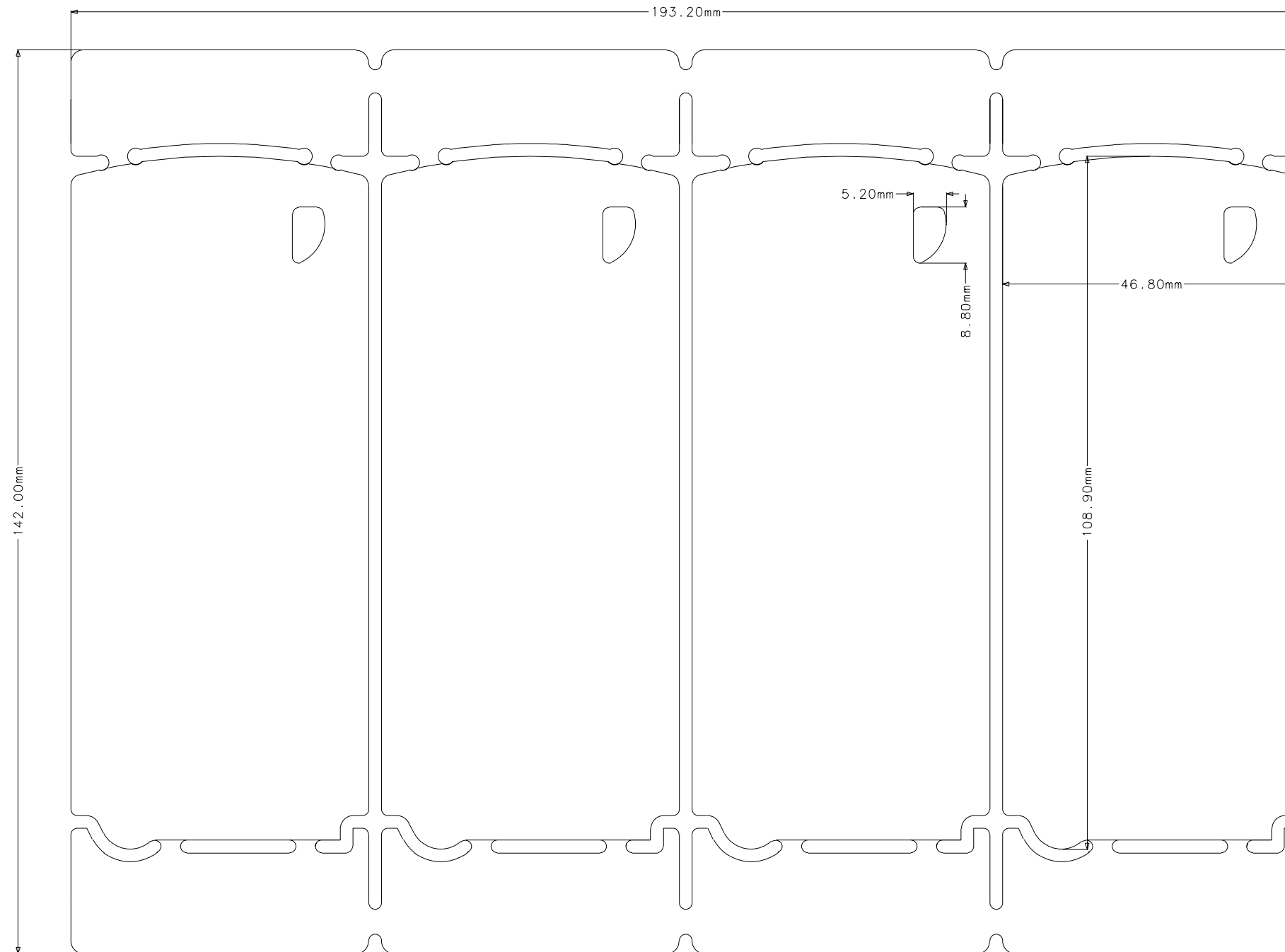
UEM Diagram



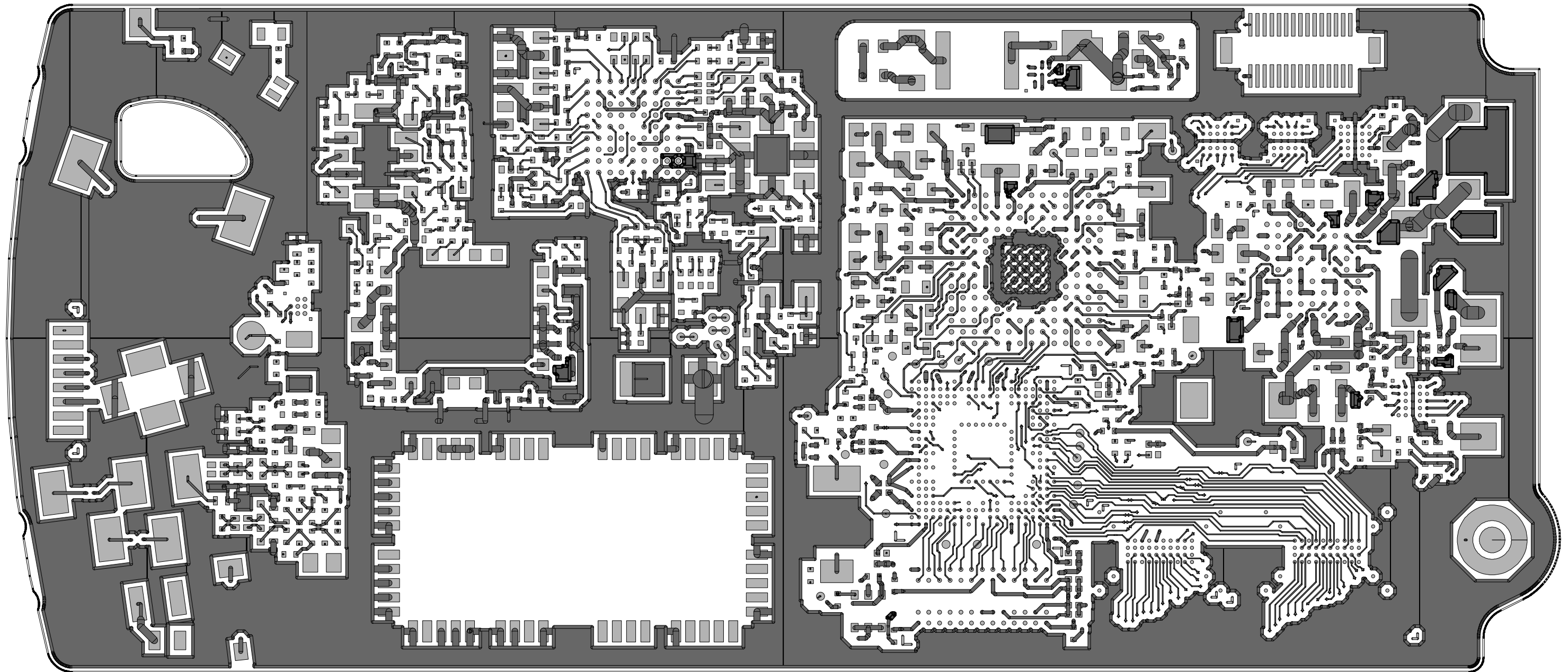


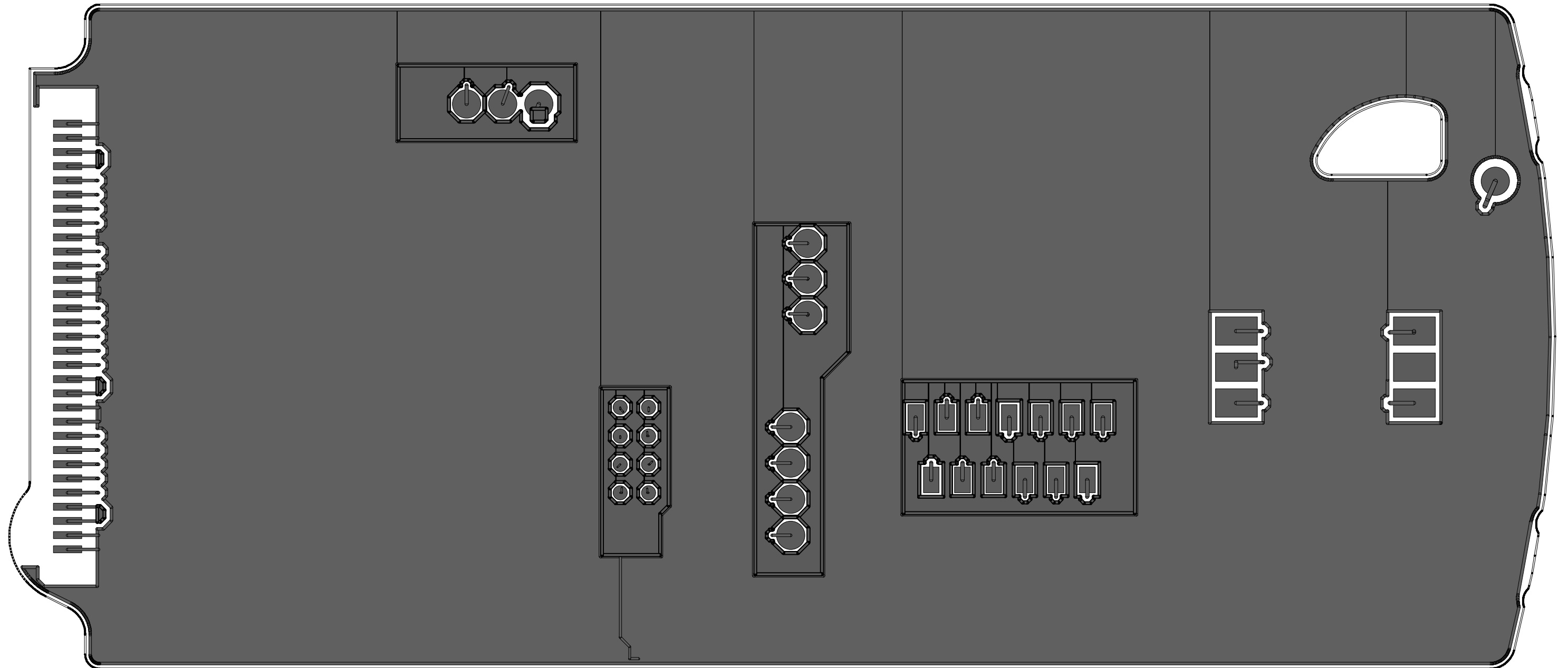


DIM

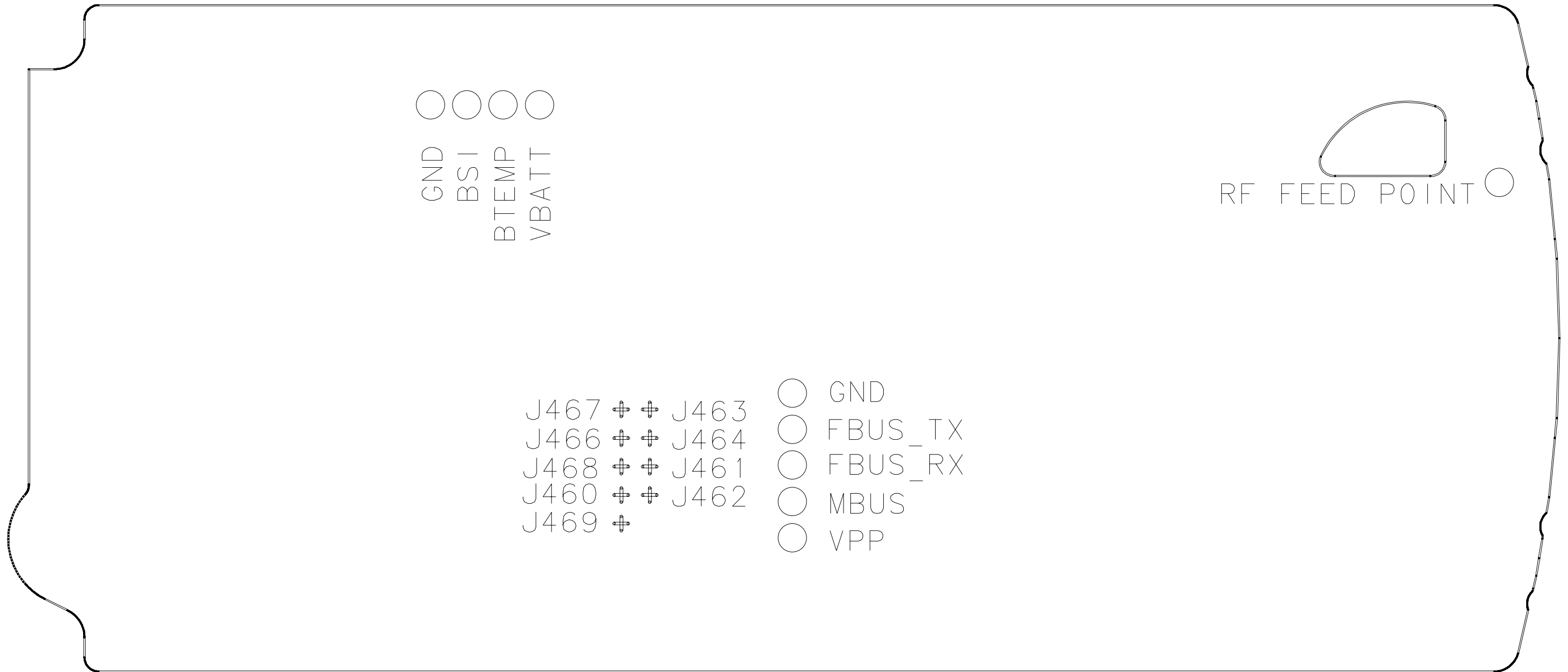








Testpoints Bottom



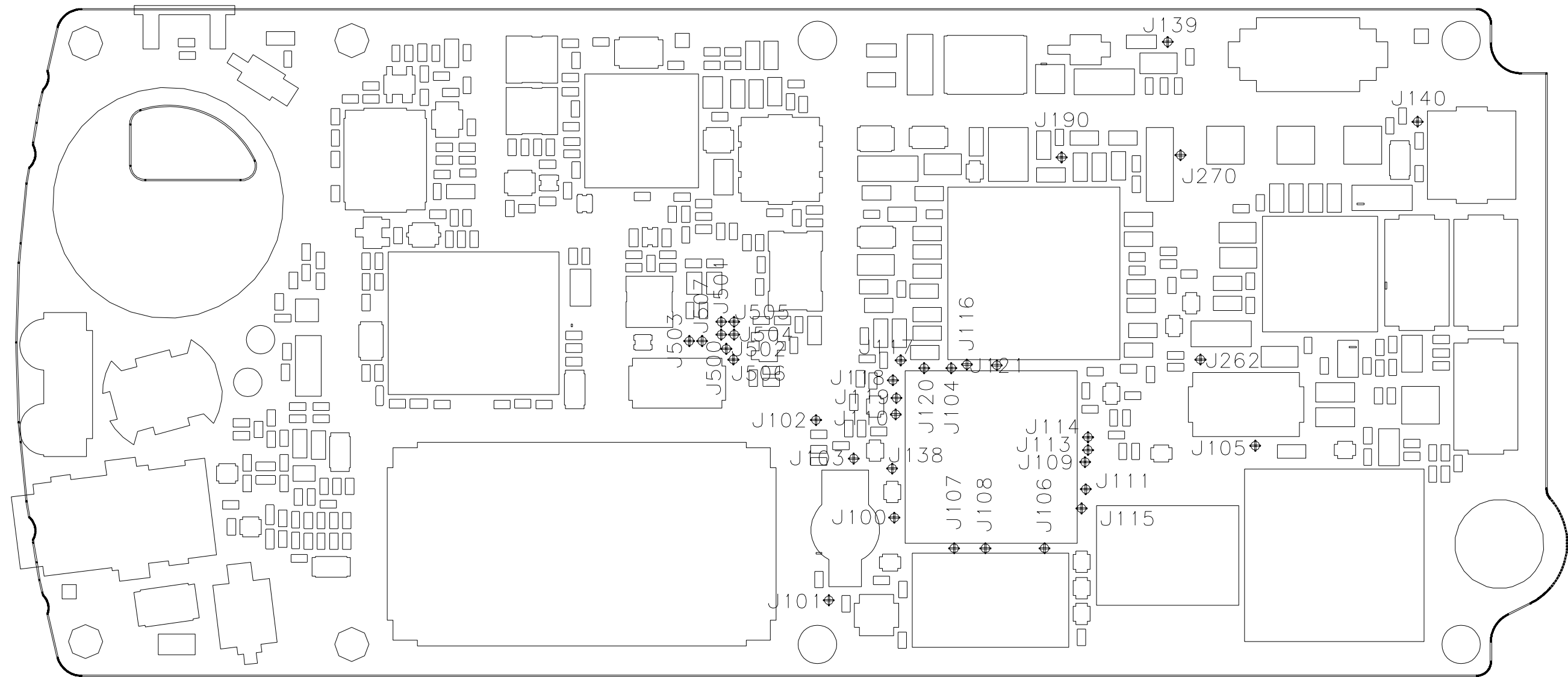
○  
○  
○  
○  
GND  
BSI  
BTEMP  
VBATT

J467 † † J463  
J466 † † J464  
J468 † † J461  
J460 † † J462  
J469 †

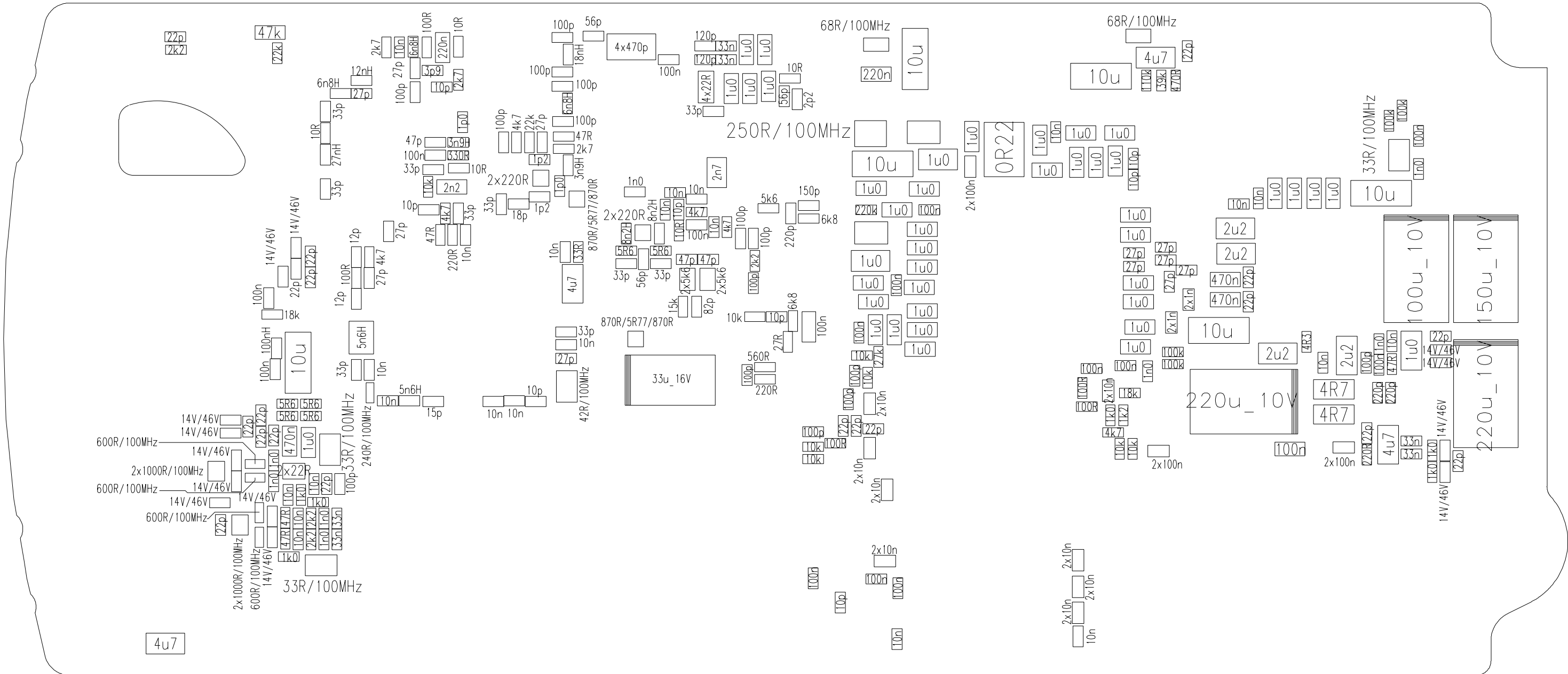
○ GND  
○ FBUS\_TX  
○ FBUS\_RX  
○ MBUS  
○ VPP

RF FEED POINT ○

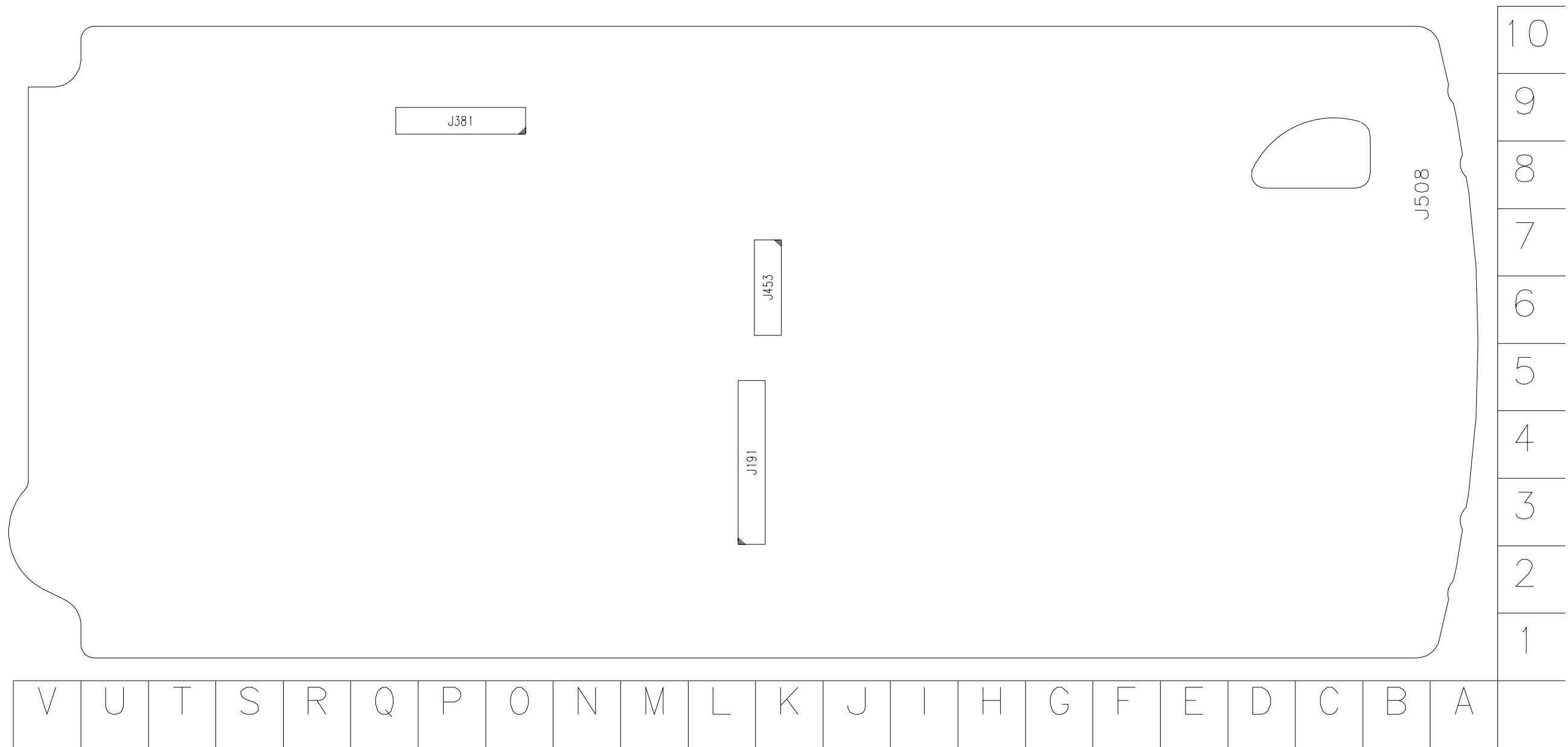
Testpoints Top



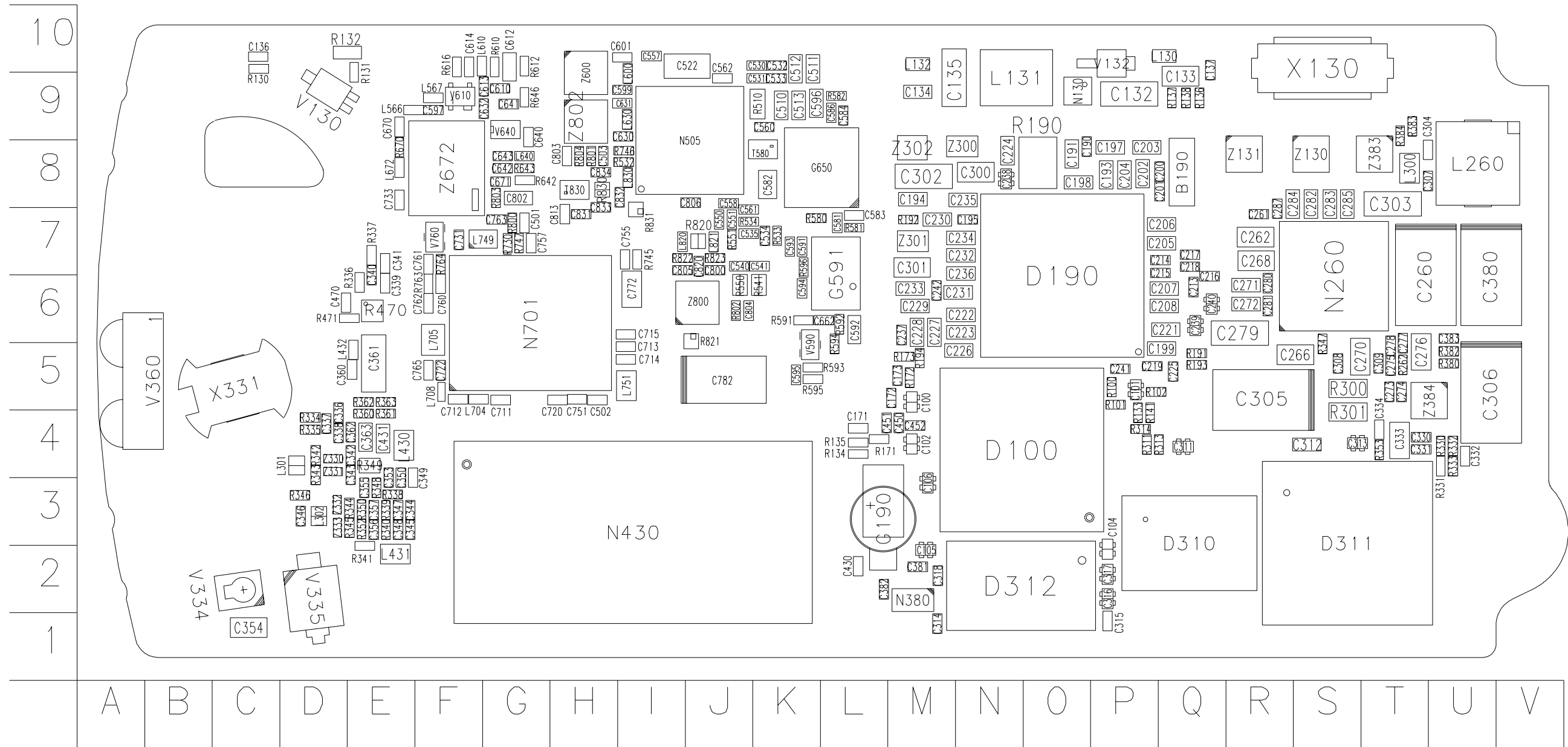
Values Top



ASM Bottom



ASM Top



This page intentionally left blank.